

PERFORATED SPIRAL DUCT

PERFORATED ALUMINUM FACE WITH 5/32" DIAMETER HOLES ON 3/16" CENTERS IN 60° STAGGERED ROWS 3/32" ON CENTER.

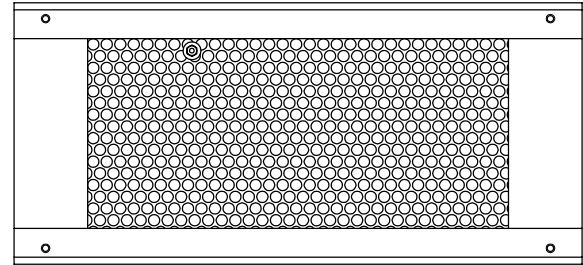
MINIMUM SIZE: 10" X 3"

MAXIMUM SIZE: 48" X 12"

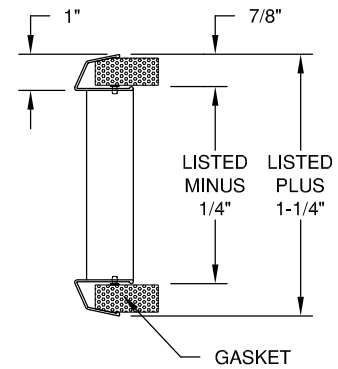
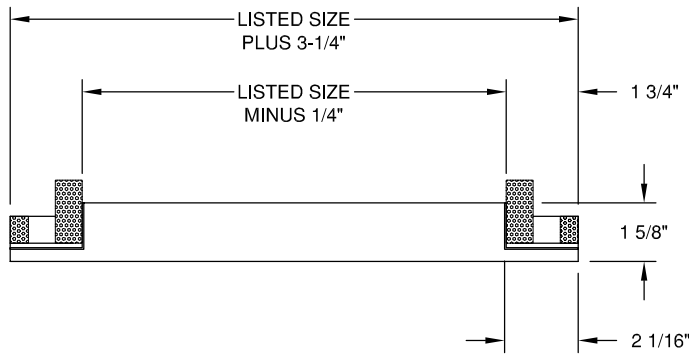
EXTRUDED ALUMINUM; 6063-T5

FINISH - SA (SATIN ANODIZE) OR W (WHITE PAINTED)

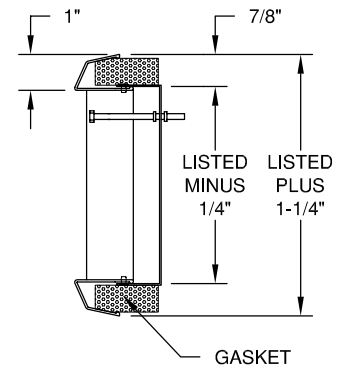
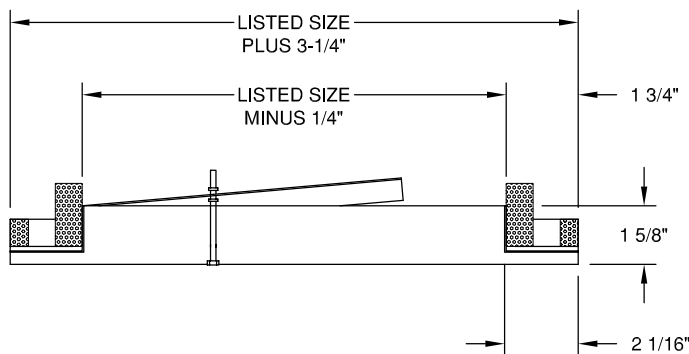
OPTIONAL AIR SCOOP WITH SCREW ADJUSTMENT



FACE VIEW



MODEL - USPF



MODEL - USPF-AS

DWG NO.

02HV206

JOB NAME: _____

ENGINEER: _____

DATE:

10/11/02

LOCATION: _____

CONTRACTOR: _____

ARCHITECT: _____

FINISH: _____